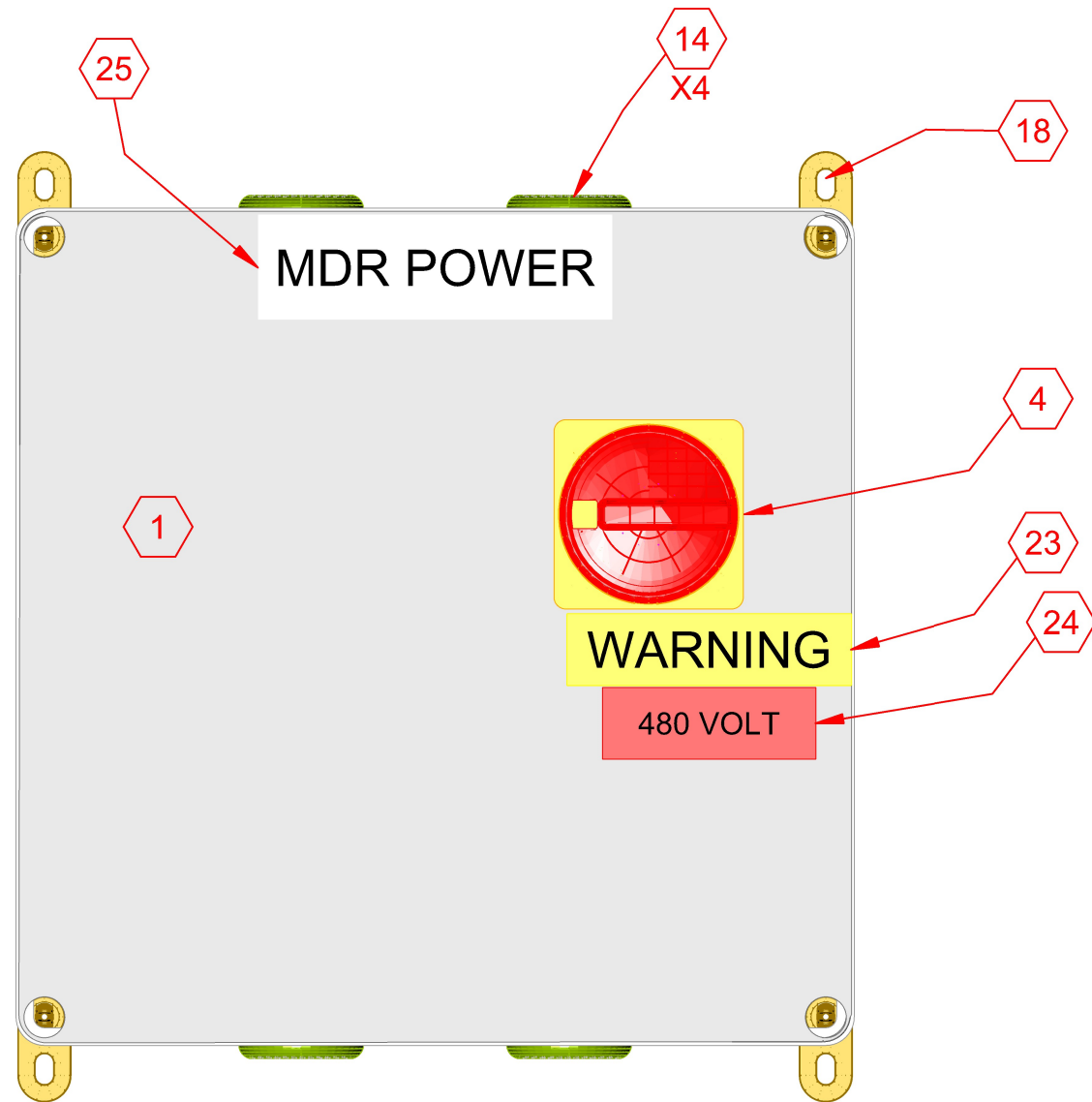


DRAWING REFERENCE	
SHEET	DESCRIPTION
1 OF 7	OVERALL ASSEMBLY AND DIMENSIONS
2 OF 7	EXTERIOR COMPONENT DETAIL
3 OF 7	SUBPLATE COMPONENT DETAIL
4 OF 7	BOM
5 OF 7	WIRING DIAGRAM
6 OF 7	SUBPLATE DRILL DETAIL
7 OF 7	ENCLOSURE DRILL DETAIL



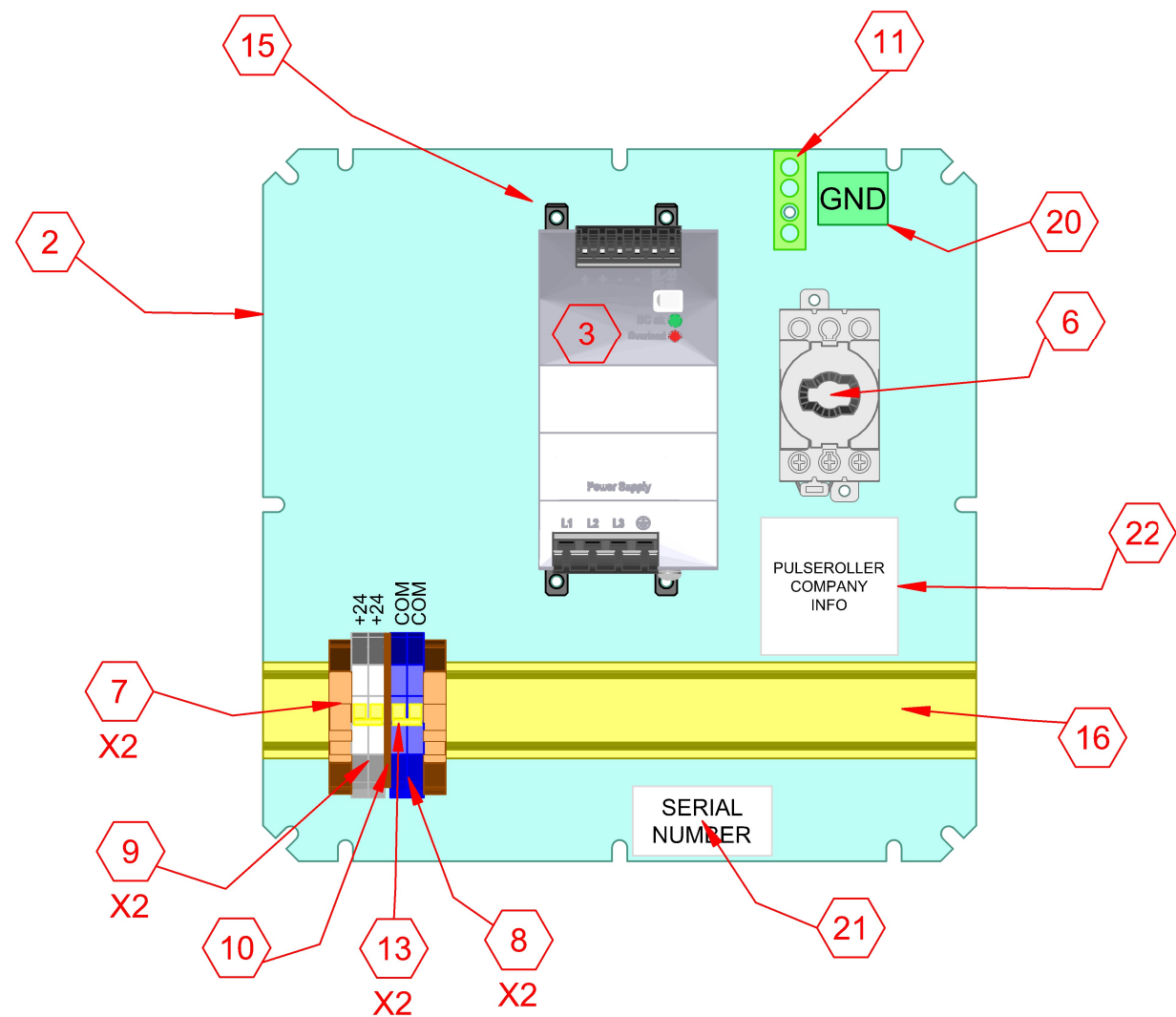
REV.	DATE	DESCRIPTION	✓	THE INFORMATION CONTAINED HEREIN IS CONFIDENTIAL, IS SUBMITTED IN CONFIDENCE, AND IS PROPRIETARY INFORMATION OF PULSEROLLER AND SHALL BE USED ONLY IN CONJUNCTION WITH AND PERFORMANCE OF THE CONTRACT OF WHICH THIS DRAWING FORMS A PART, AND SHALL NOT, WITHOUT PULSEROLLER PRIOR WRITTEN APPROVAL, BE REPRODUCED OR IN ANY OTHER WAY USED IN WHOLE OR IN PART BY OTHERS.	DATE: 12-MAY-2020 DESIGNED BY: JPK CHECKED BY: SCALE: NONE SHEET: 1 OF 7	TITLE: OVERALL ASSEMBLY PART NUMBER IN-P-DIS-PS-20-480 FOR: MDR POWER ASSEMBLIES PULSEROLLER STANDARDS DWG. NO: IN-P-DIS-PS-20-480 REV:
------	------	-------------	---	---	--	--



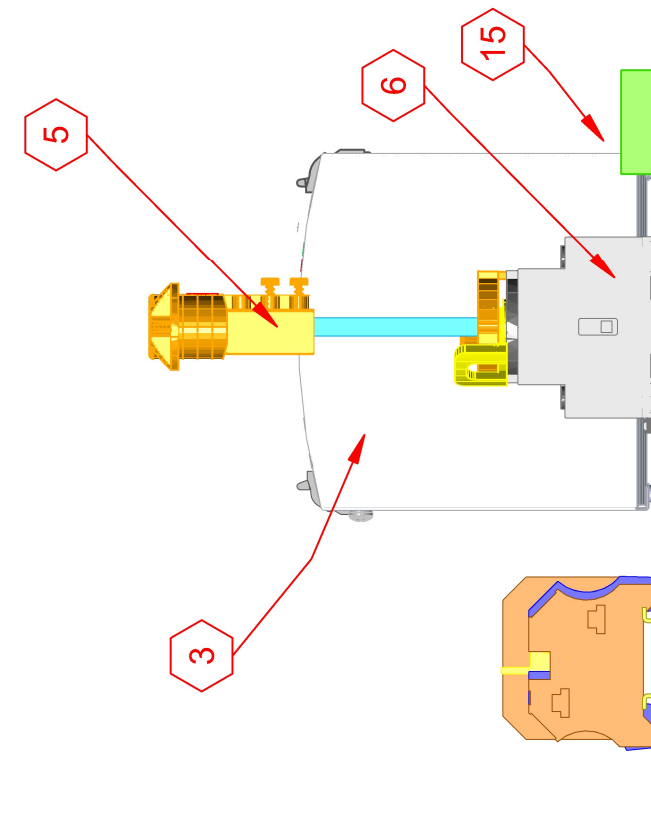
XX INDICATES REF ON BOM
IN-P-DIS-PS-20-480 ON
SHEET 4 OF 7



REV.	DATE	DESCRIPTION	✓	THE INFORMATION CONTAINED HEREIN IS CONFIDENTIAL, IS SUBMITTED IN CONFIDENCE, AND IS PROPRIETARY INFORMATION OF PULSEROLLER AND SHALL BE USED ONLY IN CONJUNCTION WITH AND PERFORMANCE OF THE CONTRACT OF WHICH THIS DRAWING FORMS A PART, AND SHALL NOT, WITHOUT PULSEROLLER PRIOR WRITTEN APPROVAL, BE REPRODUCED OR IN ANY OTHER WAY USED IN WHOLE OR IN PART BY OTHERS.	DATE: 12-MAY-2020 DESIGNED BY: JPK CHECKED BY: SCALE: NONE SHEET: 2 OF 7	TITLE: EXTERIOR COMPONENTS FRONT VIEW PART NUMBER IN-P-DIS-PS-20-480 FOR: MDR POWER ASSEMBLIES PULSEROLLER STANDARDS DWG. NO: IN-P-DIS-PS-20-480 REV:
------	------	-------------	---	---	--	--



SUBPLATE FRONT VIEW



SUBPLATE RIGHT SIDE VIEW

XX INDICATES REF ON BOM
IN-P-DIS-PS-20-480 ON
SHEET 4 OF 7



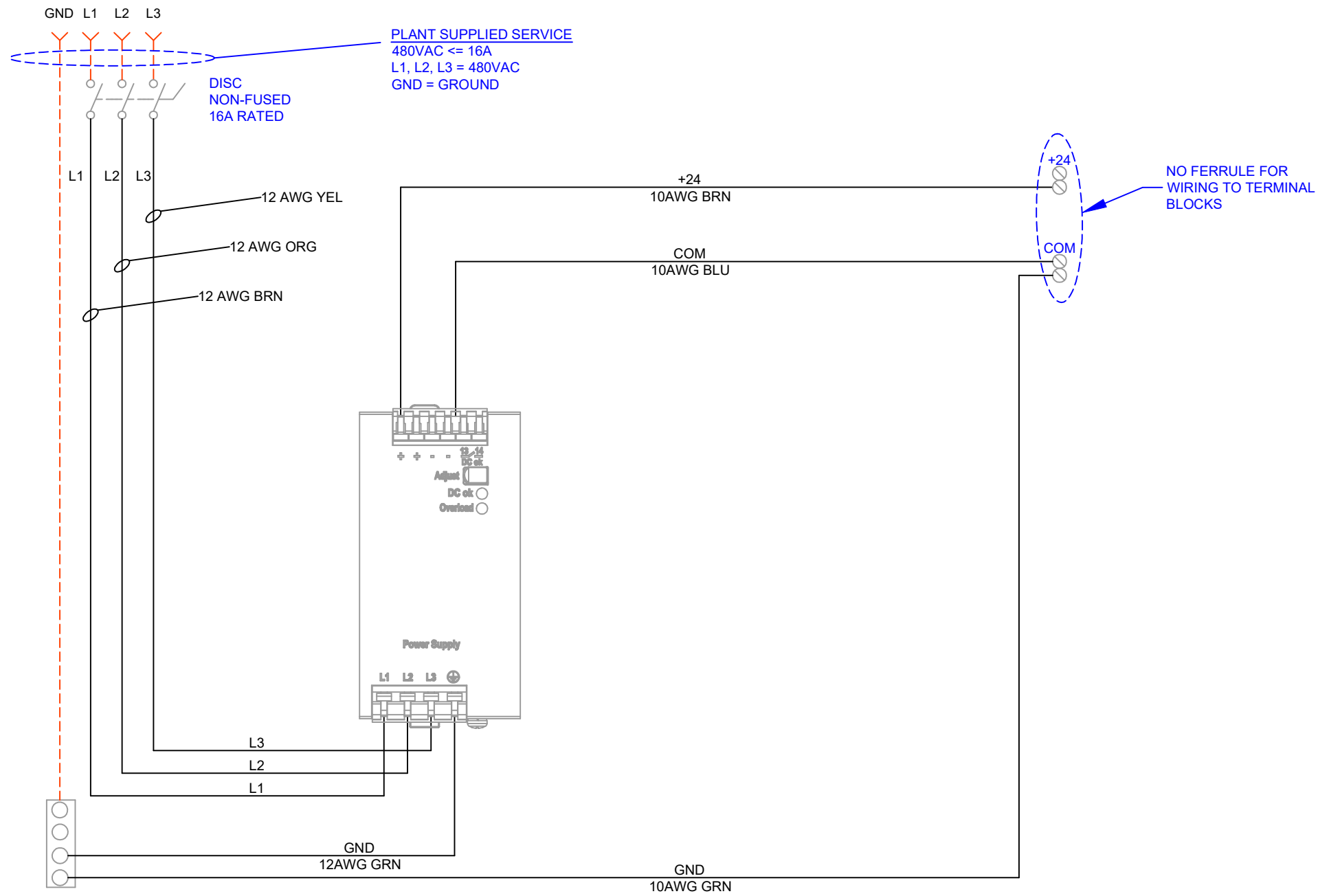
				THE INFORMATION CONTAINED HEREIN IS CONFIDENTIAL, IS SUBMITTED IN CONFIDENCE, AND IS PROPRIETARY INFORMATION OF PULSEROLLER AND SHALL BE USED ONLY IN CONJUNCTION WITH AND PERFORMANCE OF THE CONTRACT OF WHICH THIS DRAWING FORMS A PART, AND SHALL NOT, WITHOUT PULSEROLLER PRIOR WRITTEN APPROVAL, BE REPRODUCED OR IN ANY OTHER WAY USED IN WHOLE OR IN PART BY OTHERS.	DATE: 12-MAY-2020	TITLE: SUBPANEL COMPONENT LAYOUT
					DESIGNED BY: JPK	PART NUMBER IN-P-DIS-PS-20-480
					CHECKED BY:	FOR: MDR POWER ASSEMBLIES
					SCALE: NONE	PULSEROLLER STANDARDS
REV.	DATE	DESCRIPTION	✓		SHEET: 3 OF 7	DWG. NO: IN-P-DIS-PS-20-480
						REV:

BOM: IN-P-DIS-PS-20-480

REF #	QUANTITY	MANUFACTURER	PART NUMBER	DESCRIPTION
1	1	Hoffman	Q303018PCICC	Enclosure, (11.3 in. x 11.3 in. x 7.09 in.), Clear Cover
2	1	Hoffman	Q3030PI	Enclosure Mounting Plate, Metal
3	1	Puls	QT20.241	480VAC TO 24VDC 20 Amp Power Supply
4	1	Allen-Bradley	194EHE4N175	Rotary Switch Handle
5	1	Allen-Bradley	194L-G3393	Shaft Adapter
6	1	Allen-Bradley	194E-A16-1753	Rotary Load Switch
7	2	Allen-Bradley	1492-EAJ35	End Anchor
8	2	Allen-Bradley	1492-J4	Terminal Block, 30A, Grey
9	2	Allen-Bradley	1492-J4B	Terminal Block, 30A, Blue
10	1	Allen-Bradley	1492-EBJ16	Partition Barrier
11	1	Square D	PK3GTA1	3 Lug Ground Bar
12	0	Allen Bradley	1489-M1C200	Miniature Circuit Breaker 20 Amp, C, 1 Pole
13	1	Allen Bradley	1492-CJJ6-10	Center Jumpers for J4 Terminal Blocks
14	4	Midget Lourve	15LDSTMB	1.5" LD 6 TAB All Alum Vent
15	1	PULS	ZM1.WALL	Wall / Panel mount bracket for QT20.241
16	1	-	-	DIN Rail, 35mm Standard, 300 mm length
17	0	-	-	DIN Rail, 35mm Standard, 70 mm length
18	1	Hoffman	QIMFK	Mounting Brackets for Q-Line Enclosure, Set of 4
19				
20	1	Pulseroller	-	Label, GND
21	1	Pulseroller	-	Label, Serial Number
22	1	Pulseroller	-	Label, Pulseroller Company Info
23	1	Pulseroller	-	Label, Warning
24	1	Pulseroller	-	Label, 480V
25	1	Pulseroller	-	Label, MDR Power
26	8	FerrulesDirect	AW40009	12 AWG (9mm Pin) Insulated Ferrules - Gray
27	3	FerrulesDirect	AW60010	10 AWG (10mm Pin) Insulated Ferrules - Black



REV.	DATE	DESCRIPTION	✓	THE INFORMATION CONTAINED HEREIN IS CONFIDENTIAL, IS SUBMITTED IN CONFIDENCE, AND IS PROPRIETARY INFORMATION OF PULSEROLLER AND SHALL BE USED ONLY IN CONJUNCTION WITH AND PERFORMANCE OF THE CONTRACT OF WHICH THIS DRAWING FORMS A PART, AND SHALL NOT, WITHOUT PULSEROLLER PRIOR WRITTEN APPROVAL, BE REPRODUCED OR IN ANY OTHER WAY USED IN WHOLE OR IN PART BY OTHERS.	DATE: 12-MAY-2020 DESIGNED BY: JPK CHECKED BY: SCALE: NONE SHEET: 4 OF 7	TITLE: BILL OF MATERIAL PART NUMBER IN-P-DIS-PS-20-480 FOR: MDR POWER ASSEMBLIES PULSEROLLER STANDARDS DWG. NO: IN-P-DIS-PS-20-480 REV:
------	------	-------------	---	---	--	--



ALL WIRES CONNECTING TO DEVICES EXCEPT
 TERMINAL BLOCKS REQUIRE CRIMPED ON FERRULES

ALL 12 AWG WIRES USE ITEM **26** TYPICAL 8 PLACES

ALL 10 AWG WIRES USE ITEM **27** TYPICAL 9 PLACES

XX INDICATES REF ON BOM
 IN-P-DIS-PS-20-480 ON
 SHEET 4 OF 7

PULSEROLLER
 WEB: WWW.PULSEROLLER.COM
 SUPPORT: SUPPORT@PULSEROLLER.COM
 SALES: SALES@PULSEROLLER.COM

WIRING NOTE:
 ALL PANEL WIRING TO BE MTW. GAUGE & COLOR AS NOTED.

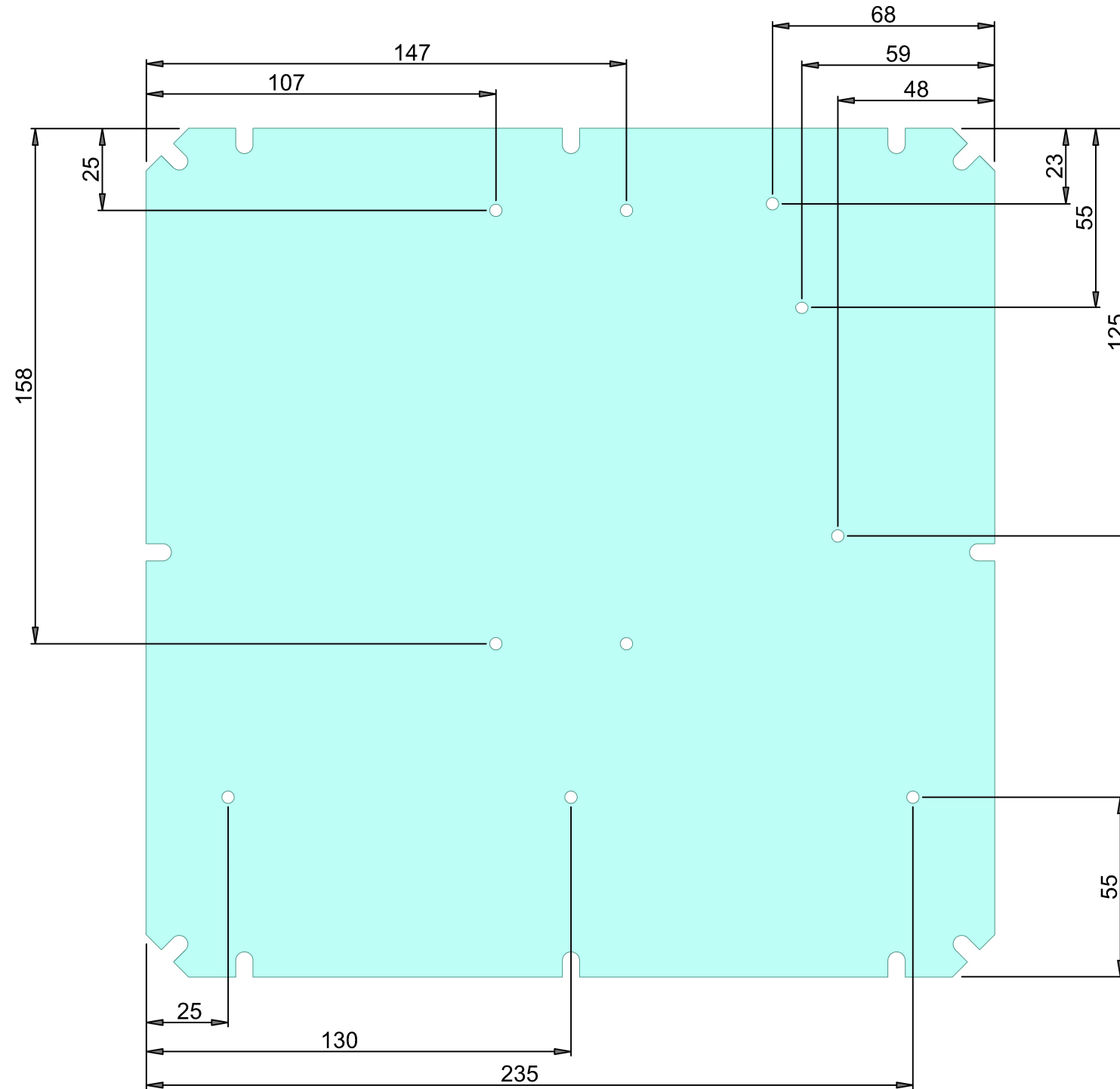
- DENOTES TERMINAL BLOCK AND STRIP IN PANEL OR J-BOX
- DENOTES TERMINATION ON FIELD OR PANEL DEVICE
- DENOTES FIELD WIRING AND/OR DEVICES

REV.	DATE	DESCRIPTION

THE INFORMATION CONTAINED HEREIN IS CONFIDENTIAL, IS SUBMITTED IN CONFIDENCE, AND IS PROPRIETARY INFORMATION OF PULSEROLLER AND SHALL BE USED ONLY IN CONJUNCTION WITH AND PERFORMANCE OF THE CONTRACT OF WHICH THIS DRAWING FORMS A PART, AND SHALL NOT, WITHOUT PULSEROLLER PRIOR WRITTEN APPROVAL, BE REPRODUCED OR IN ANY OTHER WAY USED IN WHOLE OR IN PART BY OTHERS.

DATE: 12-MAY-2020
 DESIGNED BY: JPK
 CHECKED BY:
 SCALE: NONE
 SHEET: 5 OF 7

TITLE:	WIRING DIAGRAM PART NUMBER IN-P-DIS-PS-20-480
FOR:	MDR POWER ASSEMBLIES PULSEROLLER STANDARDS
DWG. NO:	IN-P-DIS-PS-20-480
REV:	



DRILL INSTRUCTIONS

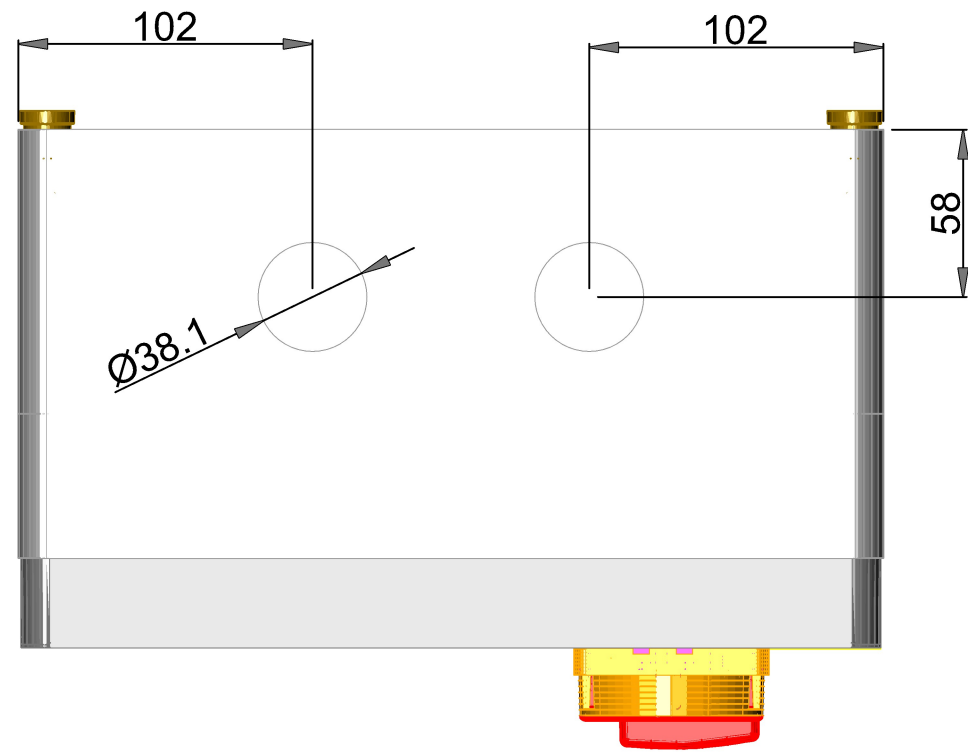
ALL HOLES DRILL AND TAP FOR EITHER #8-32 (IMPERIAL) OR M4X.7 (METRIC)

USE 3/8" (IMPERIAL) OR 10MM (METRIC) LENGTH MACHINE SCREWS

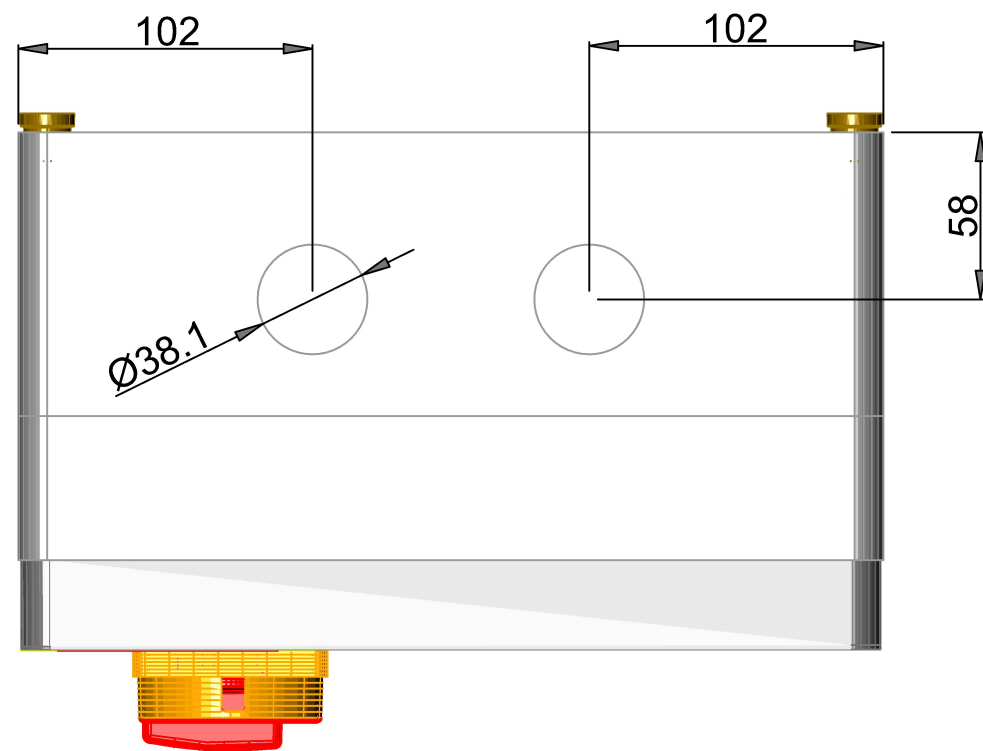
TYPICAL 10 PLACES



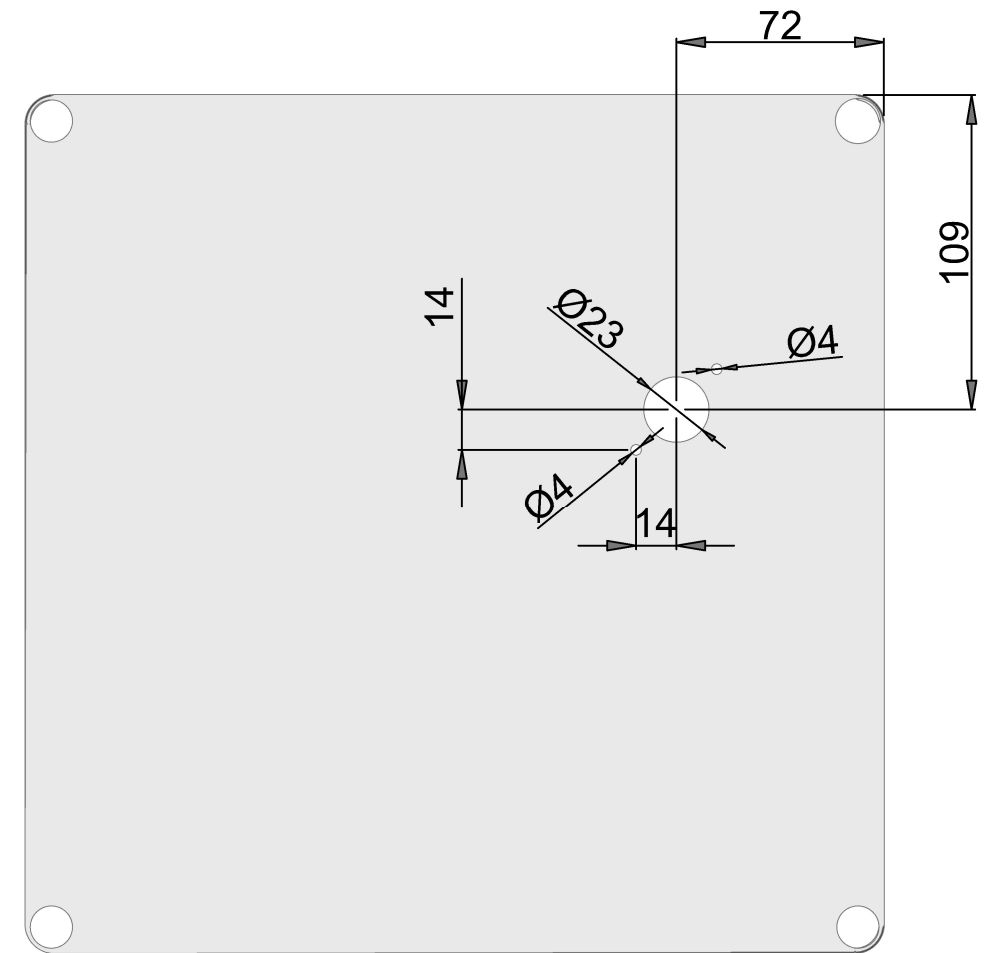
				THE INFORMATION CONTAINED HEREIN IS CONFIDENTIAL, IS SUBMITTED IN CONFIDENCE, AND IS PROPRIETARY INFORMATION OF PULSEROLLER AND SHALL BE USED ONLY IN CONJUNCTION WITH AND PERFORMANCE OF THE CONTRACT OF WHICH THIS DRAWING FORMS A PART, AND SHALL NOT, WITHOUT PULSEROLLER PRIOR WRITTEN APPROVAL, BE REPRODUCED OR IN ANY OTHER WAY USED IN WHOLE OR IN PART BY OTHERS.	DATE: 12-MAY-2020	TITLE: SUBPANEL DRILL AND TAP DETAILS
					DESIGNED BY: JPK	PART NUMBER IN-P-DIS-PS-20-480
					CHECKED BY:	FOR: MDR POWER ASSEMBLIES
					SCALE: NONE	PULSEROLLER STANDARDS
REV.	DATE	DESCRIPTION	✓		SHEET: 6 OF 7	DWG. NO: IN-P-DIS-PS-20-480
						REV:



ENCLOSURE VENT HOLES - TOP VIEW



ENCLOSURE VENT HOLES - BOTTOM VIEW



REMOVABLE COVER - FRONT VIEW

ALL HOLES THRU DRILLED AND DE-BURRED



REV.	DATE	DESCRIPTION	✓	THE INFORMATION CONTAINED HEREIN IS CONFIDENTIAL, IS SUBMITTED IN CONFIDENCE, AND IS PROPRIETARY INFORMATION OF PULSEROLLER AND SHALL BE USED ONLY IN CONJUNCTION WITH AND PERFORMANCE OF THE CONTRACT OF WHICH THIS DRAWING FORMS A PART, AND SHALL NOT, WITHOUT PULSEROLLER PRIOR WRITTEN APPROVAL, BE REPRODUCED OR IN ANY OTHER WAY USED IN WHOLE OR IN PART BY OTHERS.	DATE: 12-MAY-2020 DESIGNED BY: JPK CHECKED BY: SCALE: NONE SHEET: 7 OF 7	TITLE: ENCLOSURE & COVER DRILL DETAILS PART NUMBER IN-P-DIS-PS-20-480 FOR: MDR POWER ASSEMBLIES PULSEROLLER STANDARDS DWG. NO: IN-P-DIS-PS-20-480 REV:
------	------	-------------	---	---	--	---